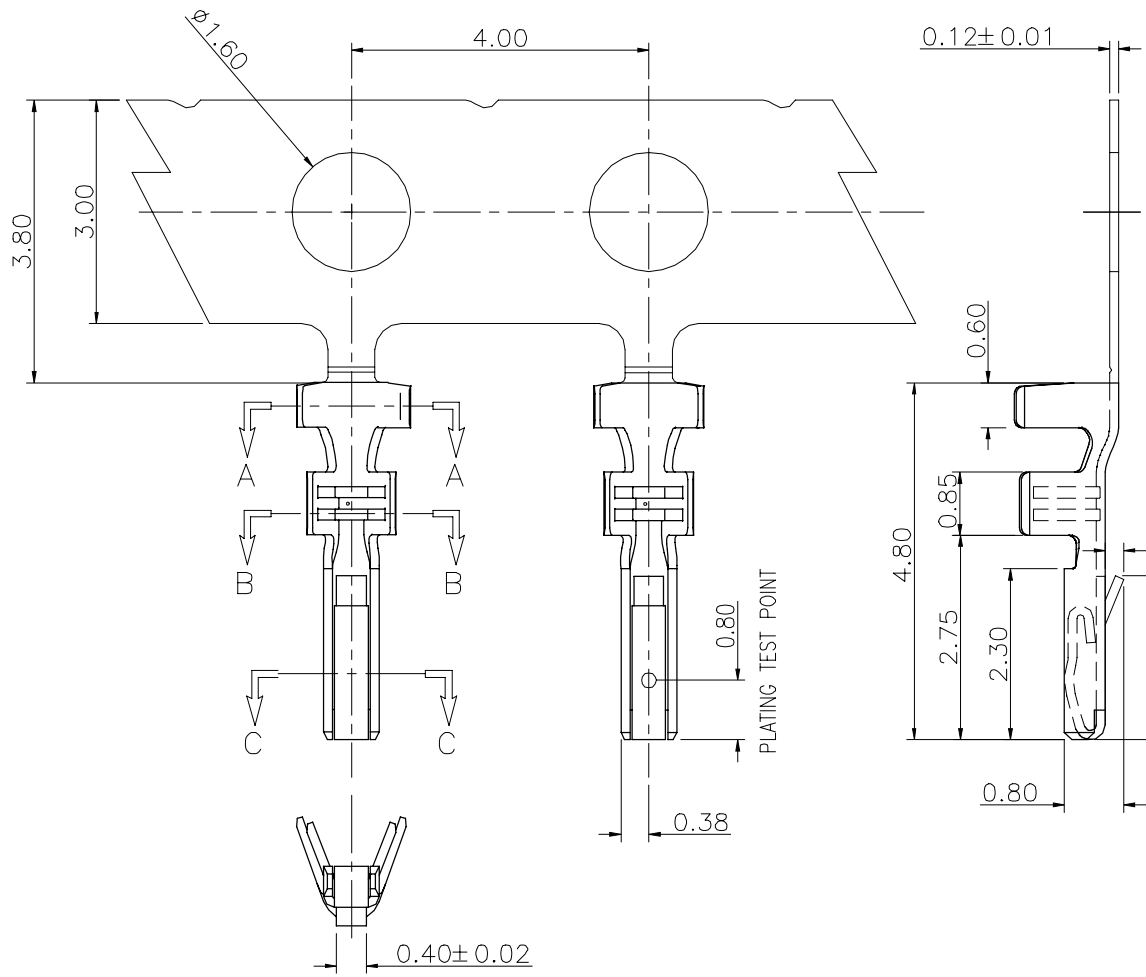


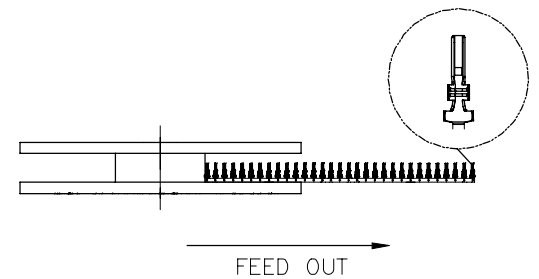
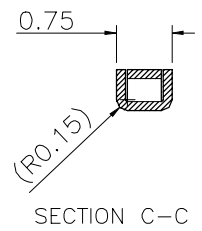
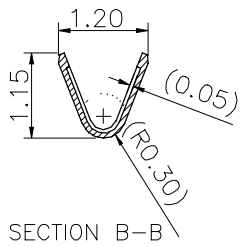
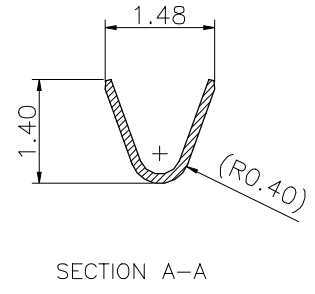
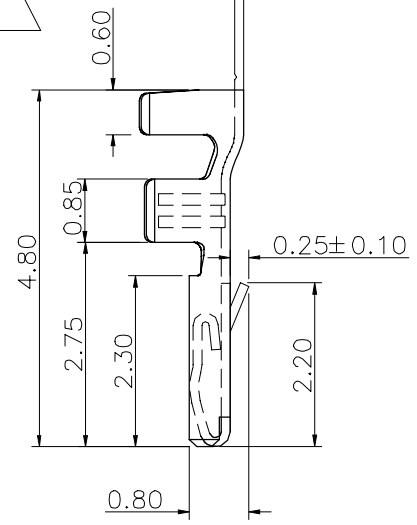
NOTES:

1. MATERIAL: PHOSPHOR BRONZE, THICKNESS 0.12±0.01
2. ALL UNSPECIFIED CORNERS AND RADIUS NOT TO EXCEED R0.1mm
3. ALLOWABLE CAMBER IS 0.5/250 mm LENGTH AND MAX.
4. ALLOWABLE TWIST IS 90° PER 1000mm
5. THE BURR IS 0.03mm MAX. AROUND ALL EDGES
6. 包裝標準: 每盤 15 K; 需標示 料號, 品名, 數量, 日期, 批號
7. 接頭部分需以紅色膠帶纏繞以利辨識, 接頭數一盤不可超過3個
8. 端子: 依照圖面來回45°兩次可折斷, 圖面不管預斷幾何形狀
9. WIRE RANGE: SUITABLE FOR AWG#28~#32
10. INSULATION O.D: 0.7mm(max)
11. PART NUMBER



50420-T X X X
 TYPE
 0: NONE
 PLATING
 9: NONE
 1: LEAD FREE (GOLD FLASH)
 L: LEAD FREE (PURE TIN)
 C: 15u" GOLD PLATING
 D: 30u" GOLD PLATING
 4: 3u" GOLD PLATING

MATERIAL
 1: PHOSPHOR BRONZE



QUALITY SYMBOLS MAJOR Ⓢ CRITICAL Ⓢ GENERAL TOLERANCES (UNLESS SPECIFIED) X. ±0.50 .X ±0.25 .XX ±0.15 .XXX ±0.10 ANGLES ±2°	DRAWN BY	DATE		
	Zhang, hongjun	23'/04/10		
	CHECKED BY	DATE	TITLE 1.0mm WTB CRIMP TERMINAL	
	Lu, Jing Quan	23'/04/10		
APPROVED BY	DATE	UNITS	SIZE	RFO NO.
hsieh, fu yu	23'/04/10	mm	A4	NA
SCALE	SHEET NO.	REV	DWG NO.	
1 : 1	1 OF 1	F	50420-Txxx-aces	